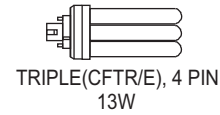
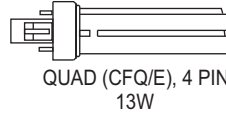


# SC-230-113-CFL

## Rapid Start Fluorescent Ballast

- Solid State Electronic Ballast
- Input Voltage: 230VAC, 50/60Hz
- Rapid Start
- UL / cUL Listed, Class "P", 1 Outdoor

### This Ballast Will Operate Following Lamps:



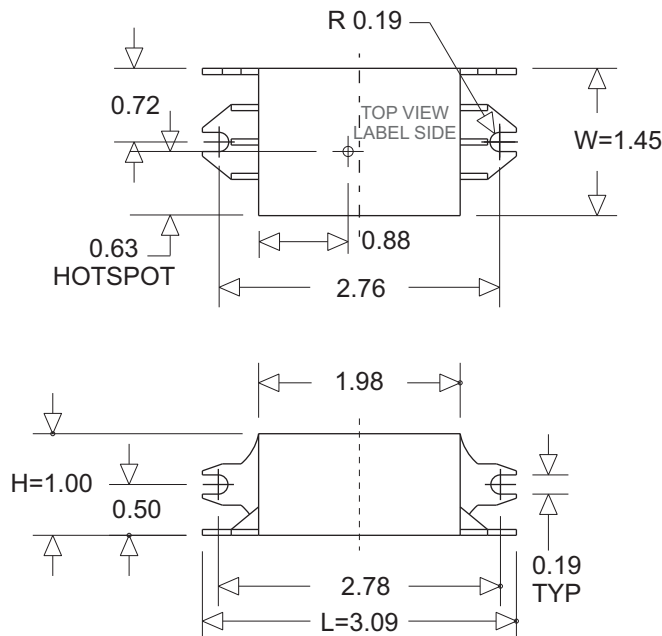
## General Specifications

Input Voltage	230VAC, 50 / 60Hz
Lamps Operated	1 Lamp
EMI / RFI Compliance	FCC Part 18-B (Consumer)
Sound Rating	"A"
Ballast Type	Rapid Start
Voltage Transients	ANSI 62.41
Input Protection	Fuse
Output Protection	EOL
Min. Operating Temp	-10°C (14°F)
Max. Case Temp	75°C (167°F)
Approvals Class	UL / cUL Listed, Class "P", 1 Outdoor
Warranty	2 Years from the date of manufacture when properly installed.

## Electrical Data

Lamp Wattage / Type	Lamps Operated	Input Wattage	Line Current	PowerFactor	Ballast Factor	Efficacy Factor	THD	Current Crest Factor
13CFQ/E	1	15.23	0.130	0.510	1.073	7.046	158.7%	<1.7
13CFTR/E	1	14.86	0.126	0.513	1.044	7.024	156.6%	<1.7

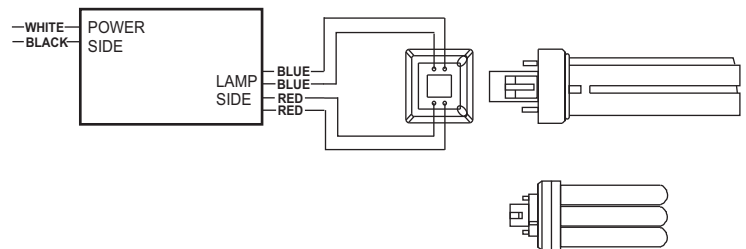
## Mechanical Data



Where : L = Length, W = Width, H = Height

## Wiring Diagrams

Wire Color	Length (Inches)	Wire Color	Length (Inches)
Black	12" ±1"	Red	8" ±1"
White	12" ±1"	Blue	8" ±1"



NOTE : This Ballast Case Must Be Grounded