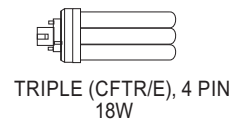
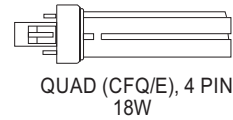
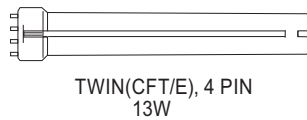


NPY-120-218-CFL

Rapid Start Fluorescent Ballast

- Input Voltage: 120VAC $\pm 10\%$, 50/60Hz
- Rapid Start
- UL / cUL Listed, Class P, RoHS
- Energy Star 4.0

This Ballast Will Operate Following Lamps:



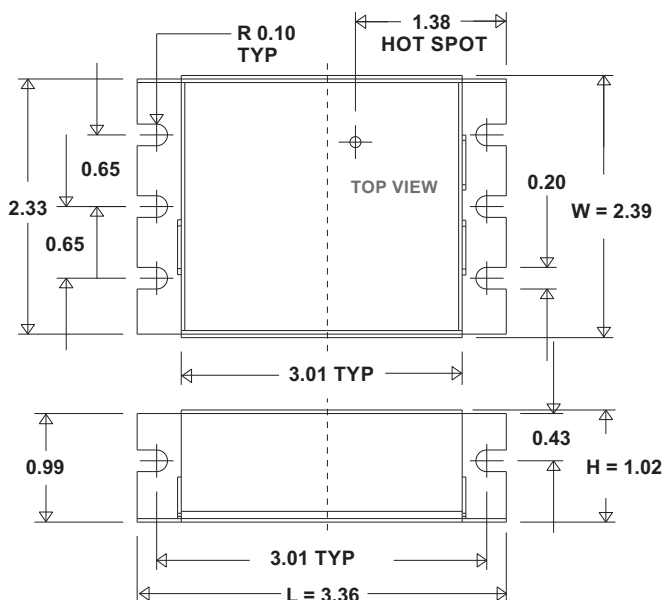
General Specifications

Input Voltage	120VAC $\pm 10\%$, 50 / 60Hz
Current Crest Factor	< 1.7
Lamps Operated	2 Lamp
EMI / RFI Compliance	FCC Part 18-B (Consumer)
Sound Rating	"A"
Ballast Type	Rapid Start
Voltage Transients	ANSI 62.41
Input Protection	Fuse
Output Protection	EOL
Min. Operating Temp	-10°C (14°F)
Max. Case Temp	75°C (167°F)
Approvals Class	UL / cUL Listed, Class "P", 1 Outdoor, RoHS Compliant
Energy Star 4.0	Yes
Warranty	2 Years from the date of manufacture when properly installed.

Electrical Data

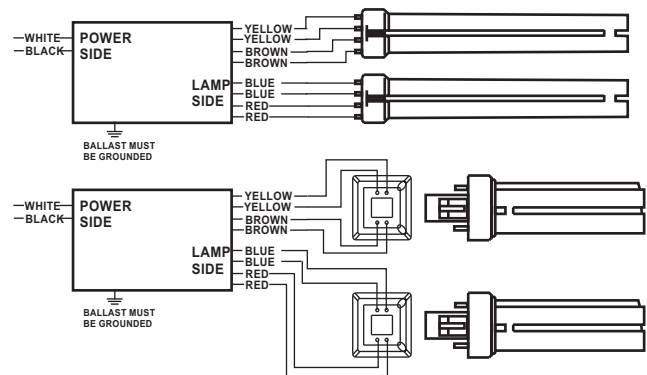
Lamp Wattage / Type	Lamps Operated	Input Wattage	Line Current	Power Factor	Ballast Factor	Efficacy Factor	THD
13CFT/E	2	26.52	0.396	0.557	0.962	3.627	143.8%
18CFQ/E	2	38.84	0.530	0.609	1.013	2.607	121.8%
18CFTR/E	2	36.41	0.490	0.618	0.966	2.650	119.6%

Mechanical Data



Wiring Diagrams

Wire Color	Length (Inches)	Wire Color	Length (Inches)
Black	12" ± 1 "	Red	12" ± 1 "
White	12" ± 1 "	Blue	12" ± 1 "
		Yellow	12" ± 1 "
		Brown	12" ± 1 "



Where: L = Length, W = Width, H = Height

NOTE : This Ballast Case Must Be Grounded