

Description: 14.7W Square LED Module / 240x240mm / 49LEDs / S7 P7

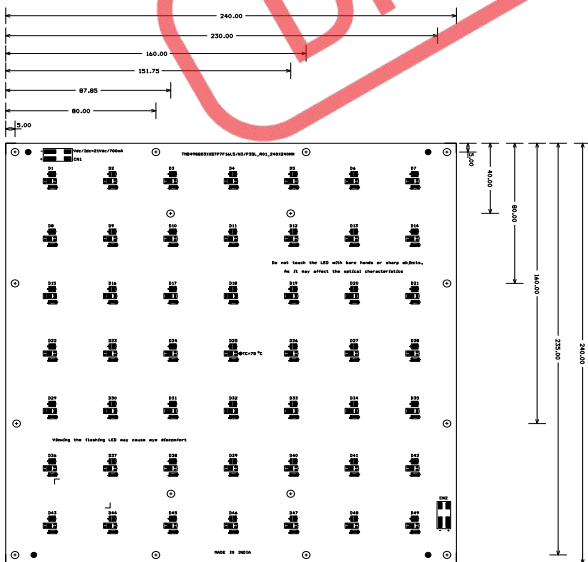
This LED Module Should be Operated On:

Any LED Driver designed to provide output Current of 700mA and Voltage 21Vdc

ELECTRICAL DATA

NOMINAL INPUT VOLTAGE (V _{DC})	21
NOMINAL INPUT CURRENT (mA)	700
NOMINAL POWER CONSUMPTION(W)	14.7
PCB SIZE (mm)	SQUARE 240 x 240MM
PCB MATERIAL TYPE	FR-4
CCT	6500K / 4000K / 2700K
CALCULATED USABLE ARRAY FLUX (lm)	1730 / 1730 / 1570
RECOMMENDED ATTACHMENT METHOD	M3 Pan Head Screw
WEIGHT (gm)	200
MAXIMUM STORAGE TEMPERATURE (°C)	-40 to 100
MAXIMUM OPERATING AMBIENT TEMPERATURE (°C)	-35 to 50
MAXIMUM T _c (°C)	75
BEAM ANGLE	120°
CRI (Typ)	80

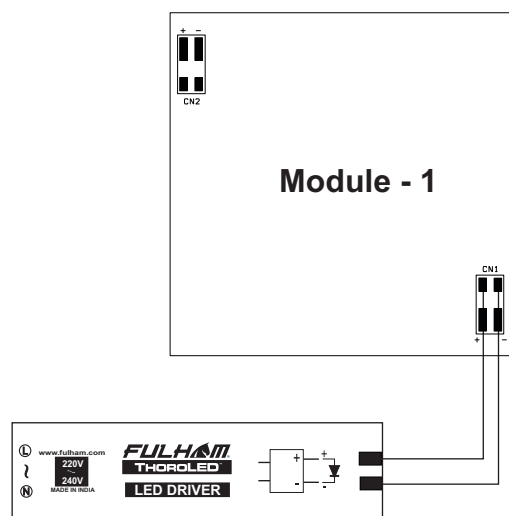
MECHANICAL DATA



NOTE-ALL DIMENSIONS ARE IN MM

SYM	DIAM	TOL	QTY	NOTE
+	4.000	±0.05X / 0.00X	16	MOUNTING HOLES
TOTAL				16

WIRING DIAGRAMS



Driver must be grounded (if applicable).

Fulham extends a limited warranty only to the original purchaser or to the first user for a period of 3 years from the date of manufacture when properly installed and operated under normal conditions of use. For complete terms and conditions, please reference the Fulham product catalog (www.fulham.com)
Due to a program of continuous improvement, Fulham reserves the right to make modifications or variations in design or construction to the equipment described. © Fulham Company Limited, All Rights Reserved.